

Sales information

Edition 42 / January 2009

Extensions to Alustyle range

The following extensions will be provided for the Alustyle range:

Battery compartments:

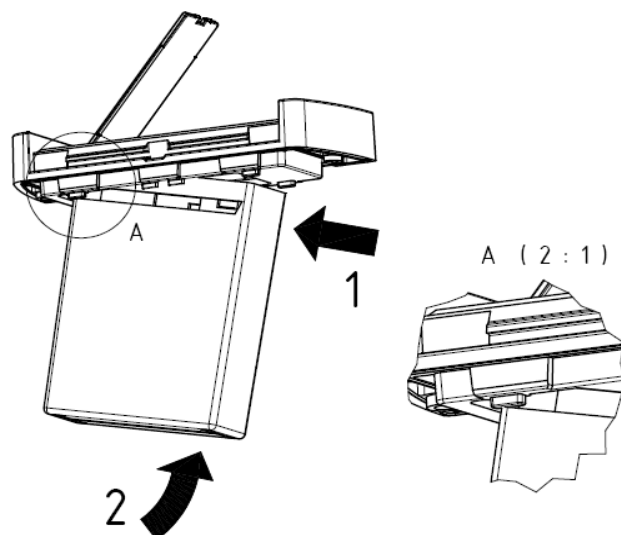
- a) Compartment for 9V block battery
Article designation: AS BE-9V
For use with: ASM 830, ASM 1030, ASM 1230
Article no.: 94839000
- b) Compartment for 3 AA batteries
Article designation: AS BE-3MN
For use with: ASM 1030 and ASM 1230
Article no.: 94833000
- c) Compartment for 4 AA batteries
Article designation: AS BE-4MN
For use with: ASM 1030 and ASM 1230
Article no.: 94834000

Availability of all above items: **Approx. as of July 2009**

Sales unit: 1 PU= 5 battery compartments

The battery compartments for the Alustyle range will, as above, be given separate article numbers.

To simplify assembly, in future the battery compartments can be inserted from below into the Alustyle lids (see assembly instructions below).
This assembly instruction will accompany the relevant battery compartments.



Alustyle AS 1850: the accessories listed below will be added to the range:

Tower feet for Alustyle AS 1850 in the following lengths and colours:

Article designation: AS 0050-0025 T-7024, TOWER FOOT
Article no.: 94732025

Article designation: AS 0050-0025 T-9006, TOWER FOOT
Article no.: 94731025

Article designation: AS 0050-0100 T-7024, TOWER FOOT
Article no.: 94732100

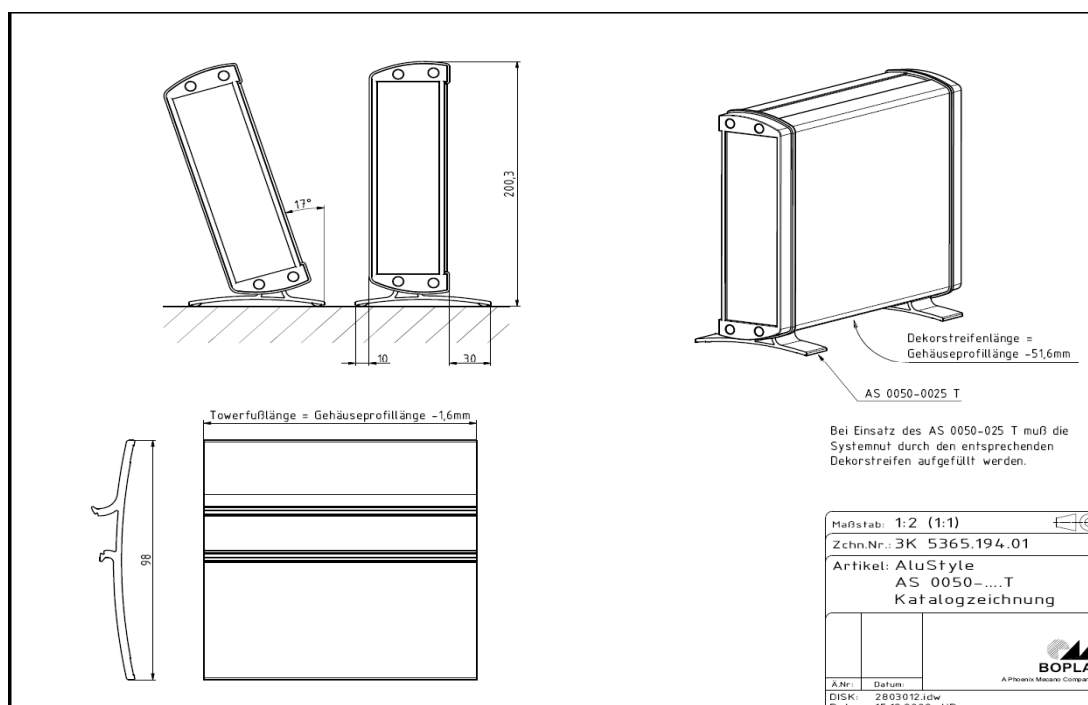
Article designation: AS 0050-0100 T-9006, TOWER FOOT
Article no.: 94731100

Article designation: AS 0050-0150 T-7024, TOWER FOOT
Article no.: 94732150

Article designation: AS 0050-0150 T-9006, TOWER FOOT
Article no.: 94731150

Article designation: AS 0050-0200 T-7024, TOWER FOOT
Article no.: 94732200

Article designation: AS 0050-0200 T-9006, TOWER FOOT
Article no.: 94731200



Wall fitting for Alustyle AS 1850 in the following lengths and colours:

Article designation: AS 0050-0025 WB-7024, WALL FITTING

Article no.: 94742025

not a catalogue article!!

Article designation: AS 0050-0025 WB-9006, WALL FITTING

Article no.: 94741025

not a catalogue article!!

Article designation: AS 0050-0100 WB-7024, WALL FITTING

Article no.: 94742100

Article designation: AS 0050-0100 WB-9006, WALL FITTING

Article no.: 94741100

Article designation: AS 0050-0150 WB-7024, WALL FITTING

Article no.: 94742150

Article designation: AS 0050-0150 WB-9006, WALL FITTING

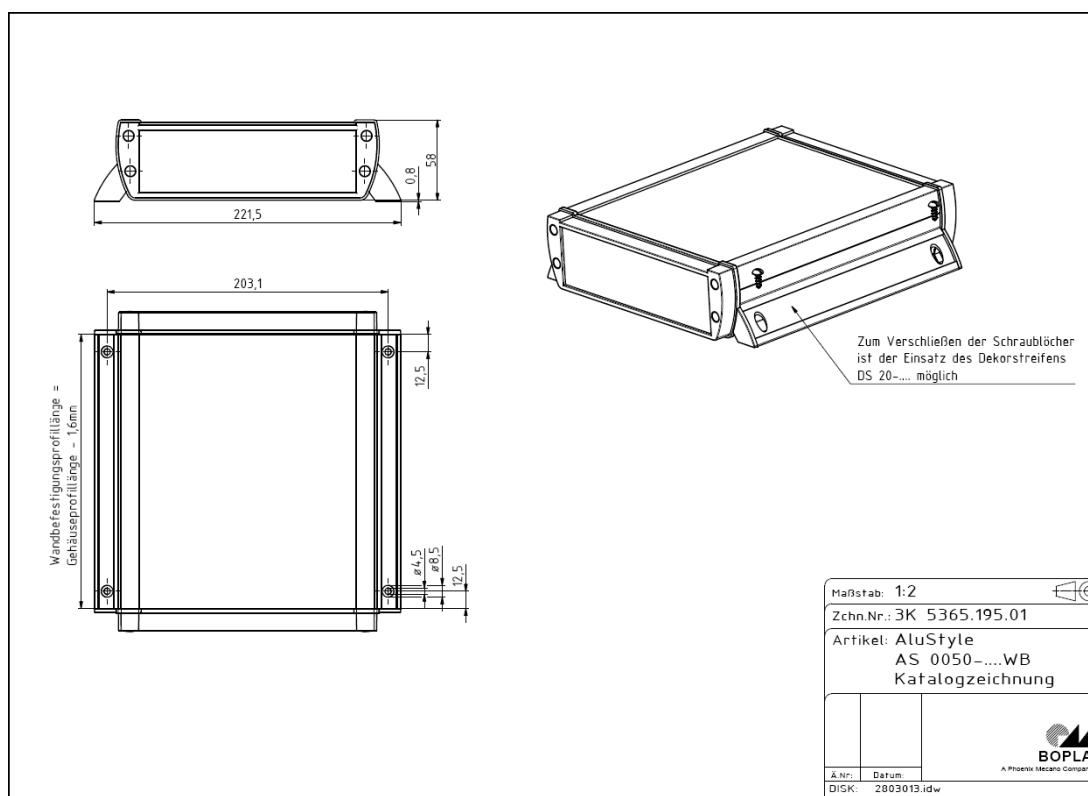
Article no.: 94741150

Article designation: AS 0050-0200 WB-7024, WALL FITTING

Article no.: 94742200

Article designation: AS 0050-0200 WB-9006, WALL FITTING

Article no.: 94741200



Covers for Alustyle AS 1850 in the following covers:

Covers for wall fitting:

Article designation: AS 0050 AK-WB-RED

Article no.: 94795000

Article designation: AS 0050 AK-WB-GREEN

Article no.: 94793000

Article designation: AS 0050 AK-WB-ORANGE

Article no.: 94796000

Article designation: AS 0050 AK-WB-BLUE

Article no.: 94794000

Article designation: AS 0050 AK-WB-DARK GREY

Article no.: 94797000

not a catalogue article!!

All the new accessories for the AS 1850 will be available as from **approx. September 2009.**