

Sales information

Edition 68 / May 2010

Expansion of the range of accessories for Intertego

Because of the big demand for our new Intertego enclosure, we have added new standard accessories to our range of products. These are:

Feet for Intertego

Model designation	Article number	Description	Scope of delivery
IT ASK (AF1 / INS)	86050000	Set-up foot, collapsible	4 pieces / set
IT GF	95006000	Enclosure foot	4 pieces / set



IT ASK

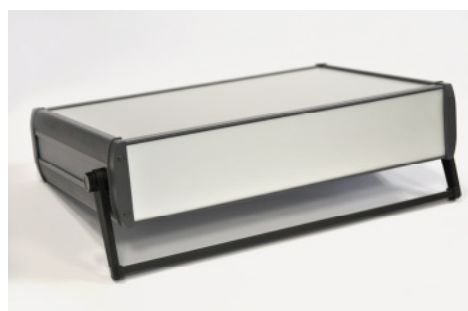


IT GF

With both feet, it is necessary to process the enclosure, more precisely the sheet metal cover. This requires a separate offer and instructions from the customer.

Handles for Intertego

Model designation	Article number	Description	Scope of delivery	Width	HP	Length of handle
IT 002500 HS2	95007225	Handle set 2 U	2 handles, 1 handle profile	247.36	42	250.36
IT 003500 HS2	95007235	Handle set 2 U	2 handles, 1 handle profile	354.04	63	357.04
IT 004500 HS2	95007245	Handle set 2 U	2 handles, 1 handle profile	460.72	84	463.72
IT 002500 HS1	95007325	Handle set 3 U	2 handles, 1 handle profile	247.36	42	250.36
IT 003500 HS1	95007335	Handle set 3 U	2 handles, 1 handle profile	354.04	63	357.04
IT 004500 HS1	95007345	Handle set 3 U	2 handles, 1 handle profile	460.72	84	463.72



HS2



HS 1

With both handle sets, it is necessary to process the enclosure, more precisely the side profiles. This requires a separate offer and instructions from the customer.

On receiving inquiries, we also offer two additional components which are not (yet) part of our standard product range: handle recesses and wall flanges.

Handle recess

Processing of the side profiles to create handle recesses makes carrying easier.



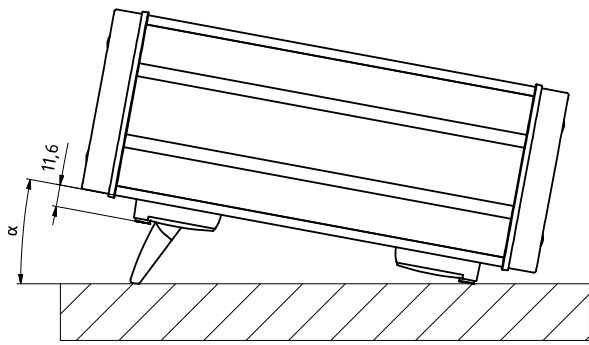
Wall flange

For the frontal fitting of an Intertego enclosure, wall angles can be mounted between the side profile and the diecast corner. In this case, the decor element is not fitted.

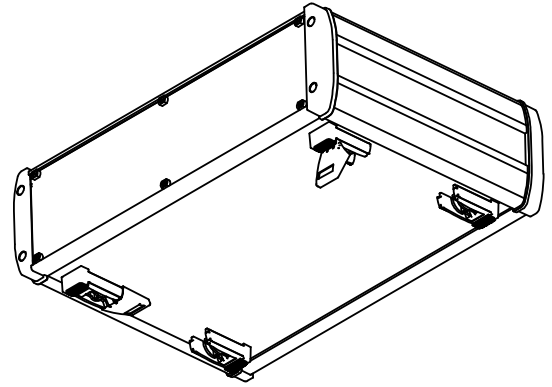


Best regards,

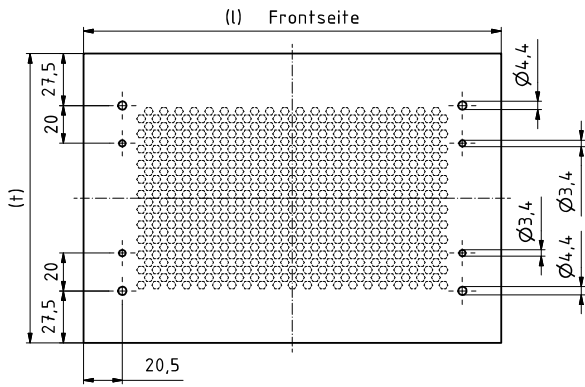
Marketing department



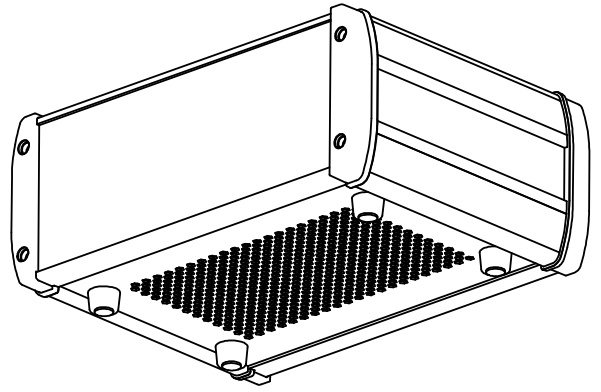
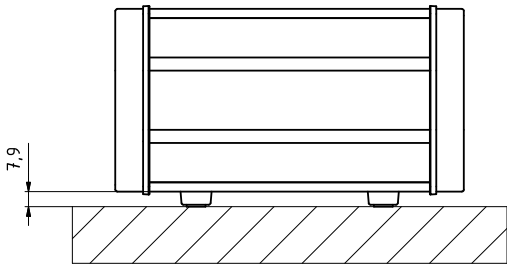
Gehäuse	α
IT20	16°
IT25	10,5°
IT30	8°



Bearbeitung der Intertego Abdeckbleche.
(gilt für alle IT AD(L)-....)

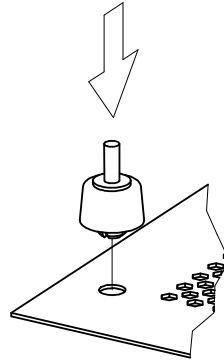
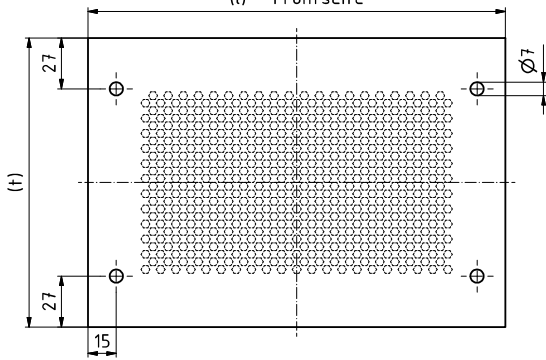


Maßstab: 1:2		
Zchn.Nr.: 3K 5380.155.01		
Artikel: Intertego IT -ASK Katalogzeichnung		
Ä.Nr.:	Datum:	 BOPLA A Phoenix Mecano Company
DISK: 2803094.idw		
Datum: 13.04.2010 HR		



Bearbeitung der Intertego Abdeckbleche.
(gilt für alle IT AD(L)-....)


(l) Frontseite



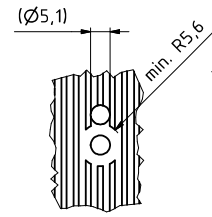
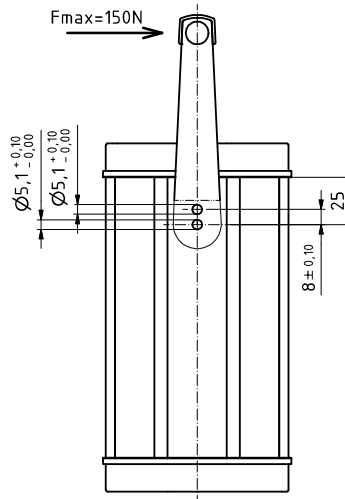
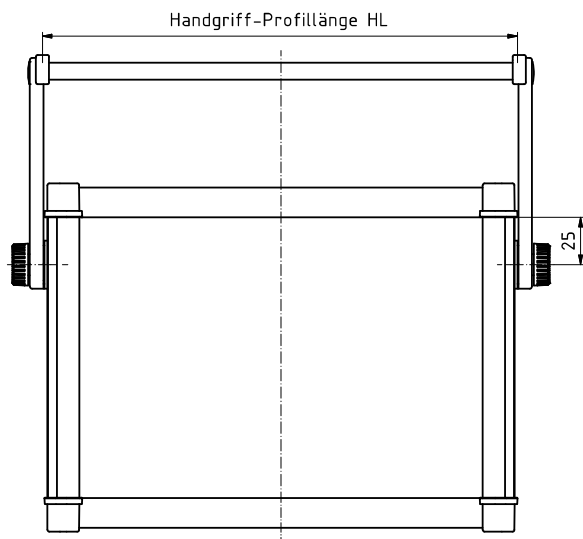
Montagehinweis:

1. Fuß in Abdeckblech einstecken
2. Stift anschließend eindrücken

Maßstab: 1:2		
Zchn.Nr.: 3K 5380.156.01		
Artikel: Intertego IT - GF Katalogzeichnung		
Ä.Nr.:	Datum:	
DISK: 2803095.idw Datum: 13.04.2010 HR		



„Schutzvermerk nach DIN ISO 16016 beachten“



In diesem Bereich
Führungsrippen des
Seitenprofils
von innen entfernt

Gehäuse	HL
IT 1025..	251,36
IT 1035..	358,04
IT 1045..	464,72

Handgriff-Profillänge HL = Frontprofillänge + 32,92mm

Maßstab: 1:2



Zchn.Nr.: 3K 5380.160.01

Artikel: Intertego
IT 10 HS2
Katalogzeichnung

Ä.Nr.: Datum:

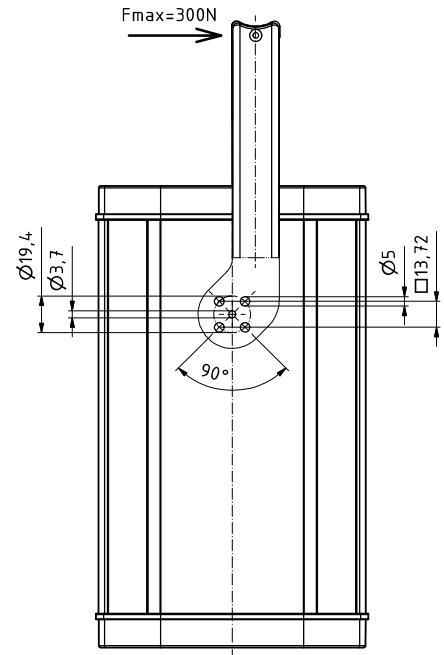
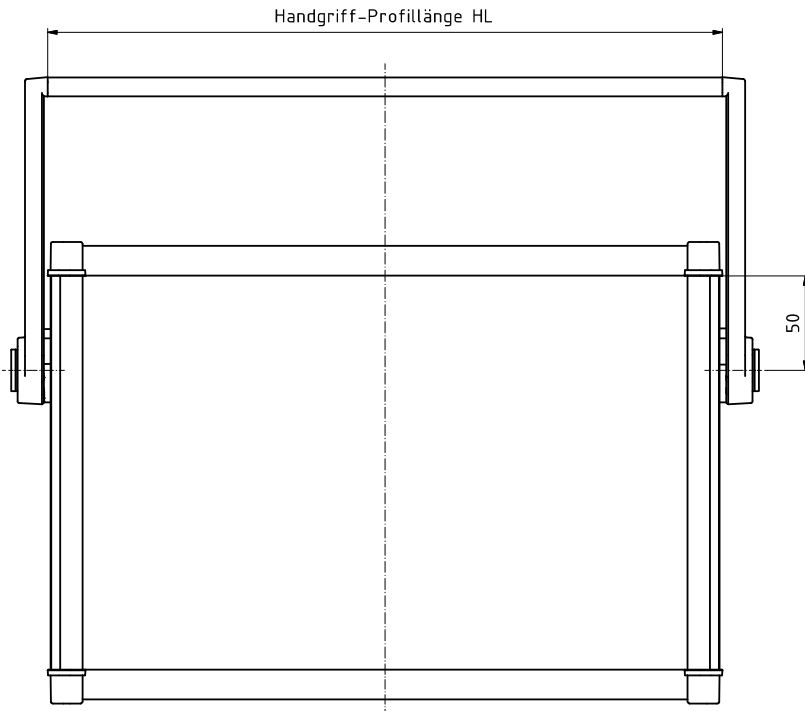
DISK: 2803100.idw

Datum: 13.04.2010 HR



BOPLA
A Phoenix Mecano Company

„Schutzvermerk nach DIN ISO 16016 beachten“



Gehäuse	HL
IT 1525..	250,36
IT 1535..	357,04
IT 1545..	463,72

Handgriff-Profillänge HL = Frontprofillänge + 31,92mm

Maßstab: 1:2



Zchn.Nr.: 3K 5380.161.01

Artikel: Intertego
IT 15 HS1
Katalogzeichnung

Ä.Nr.: Datum:

DISK: 2803101.idw

Datum: 13.04.2010 HR


BOPLA
A Phoenix Mecano Company